



RECOMMENDED LIST MODIFICATION

Types

Fights of the HMBIA group battles category are conducted on the list with a hard surface and a rail. The height of the rail is 0.9 to 1.3m. Depending on the type of the tournament, the size of the list may vary provided it was agreed with HMBIA and documented in the Tournament Regulations.

- 1.3.1. It is recommended to use the list measuring 7.5 to 10 m long and 5 to 7.5 m wide for **3vs3** category.
- 1.3.2. It is recommended to use the list measuring 12.5 to 15 m long and 7.5 to 10 m wide for **5vs5** category.
- 1.3.3. It is recommended to use the list measuring 15 to 20 m long and 10 to 12.5 m wide for **12vs12** category.
- 1.3.4. It is recommended to use the list measuring 25 to 30 m long and 12.5 to 15 m wide for **30vs30** category.



Top bar

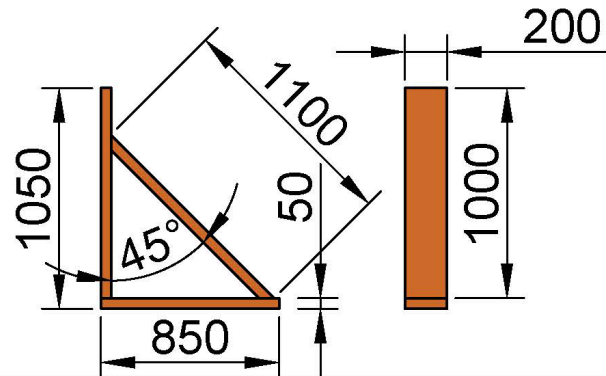
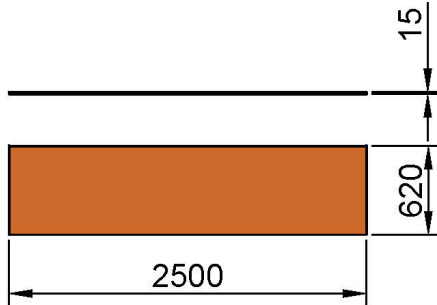
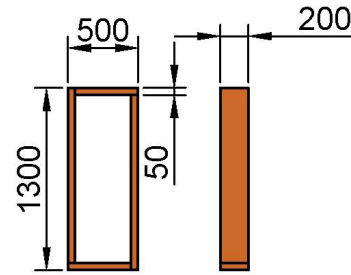
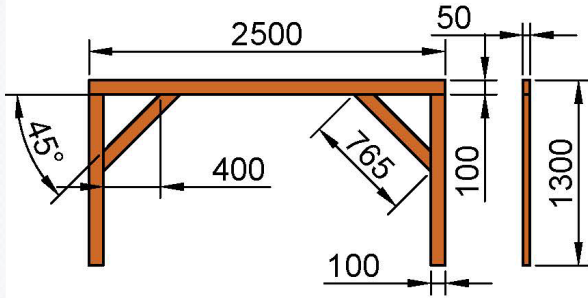
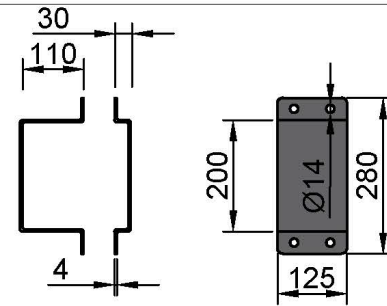
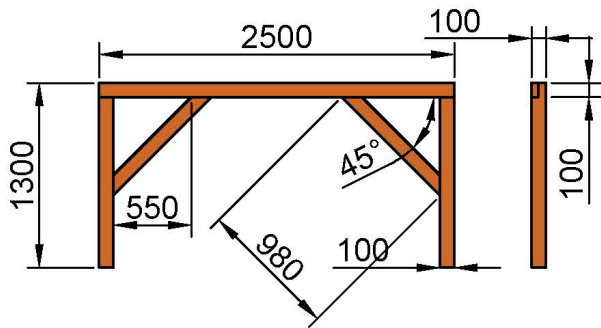
Based on the results of the HMB Future project it was recommended to introduce a new configuration of the list with the top bar as the primary one for all HMBIA tournaments starting January 1st, 2022.



Top bar

Based on the results of the HMB Future project it was recommended to introduce a new configuration of the list with the top bar as the primary one for all HMBIA tournaments starting January 1st, 2022.





**SPORT & CULTURE
GLOBAL MOVEMENT**

